

BRAKE DISC PAINTED 09.6753.21

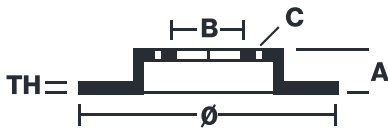
The 09.6753.21 painted brake disc is synonymous with reliability

The Brembo brake disc with special UV paint treatment guarantees superior corrosion resistance for the product, thanks to the protective coating on the outer edges and on the disc hub. The UV paint not only gives the disc a clean, shiny appearance but is also beneficial for the environment as the water-based UV paint treatment does not require the use of chemical solvents and is a low energy consumption process.

- ✓ OE-equivalent
- ✓ Brembo quality
- ✓ ECE-R90 certificate
- ✓ Safety
- ✓ Anti-corrosion
- ✓ Fastening screws



Technical specifications



EAN code
8020584031599

Axle
Front

Diameter
260 mm

Thickness (TH)
23 mm

Height (A)
47 mm

Number of holes (C)
4

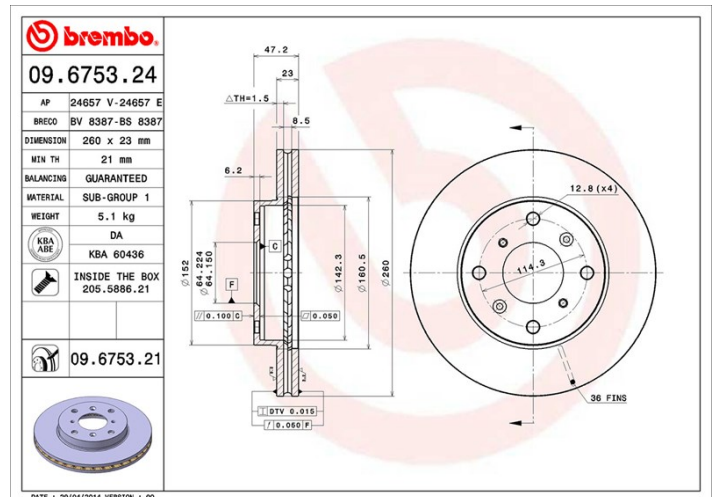
Brake disc type
Ventilated

Centering (B)
64 mm

Min. thickness
21 mm

Tightening torque
108 Nm

Units per box
2



COMPATIBLE VEHICLES

ACURA

CL Coupe	2.3 Vtec	112/152	10/98 09/00
----------	----------	---------	-------------

HONDA

ACCORD VI (CK, CG, CH, CF)	2.0 Vtec (CF9, CF0, CF1, CF2)	110/150	09/97 05/00
ACCORD VI (CK, CG, CH, CF)	2.3 (CG5, CF9, CF0, CF1, CF2)	110/150	03/97 01/99
ACCORD VI Coupe (CG)	2.3 VTi (CG3)	113/154	02/98 10/02

COMPATIBLE OE PART NUMBERS

45251S84A01

ACURA
