

DRUM 14.6754.10

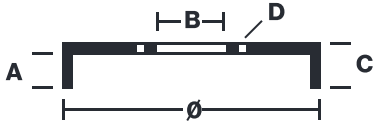
The 14.6754.10 drum is synonymous with reliability

Brembo has developed several design solutions for drum brakes which combine multiple materials to reduce the overall weight. The most popular range of lamellar graphite cast iron drums is supplemented by cast iron drums with a steel sprocket flange and aluminium drums, whereby only the inner part of the drum on which the shoes operate are made of lamellar cast iron, namely the brake band. Additionally drums with built-in bearing kit and hub are added to this range.

- ✓ OE-equivalent
- ✓ Brembo quality
- ✓ Safety
- ✓ Durability



Technical specifications



EAN code
8020584675410

Axle
Rear

Diameter
220 mm

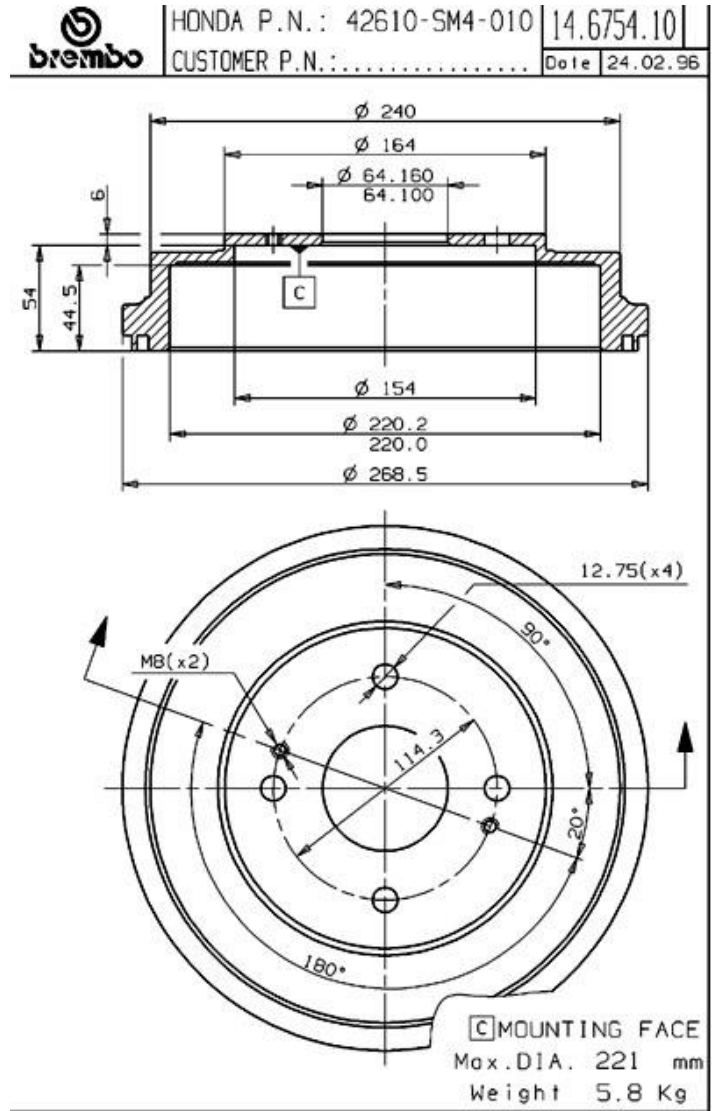
Width
44,5 mm

Height
60 mm

Number of holes
4.00

Centering
64,1 mm

Max diameter
221 mm



COMPATIBLE VEHICLES

HONDA

ACCORD IV (CB)	2.0 16V (CB3)	66/90	01/90 03/93
ACCORD IV (CB)	2.0 16V (CB3)	81/110	01/90 03/93
ACCORD IV (CB)	2.0 i 16V (CB3)	98/133	01/90 03/93
ACCORD VI (CK, CG, CH, CF)	2.3 (CG5, CF9, CF0, CF1, CF2)	110/150	03/97 01/99

COMPATIBLE OE PART NUMBERS

42610SM4010

HONDA