

# BRAKE PAD NAO P28046N

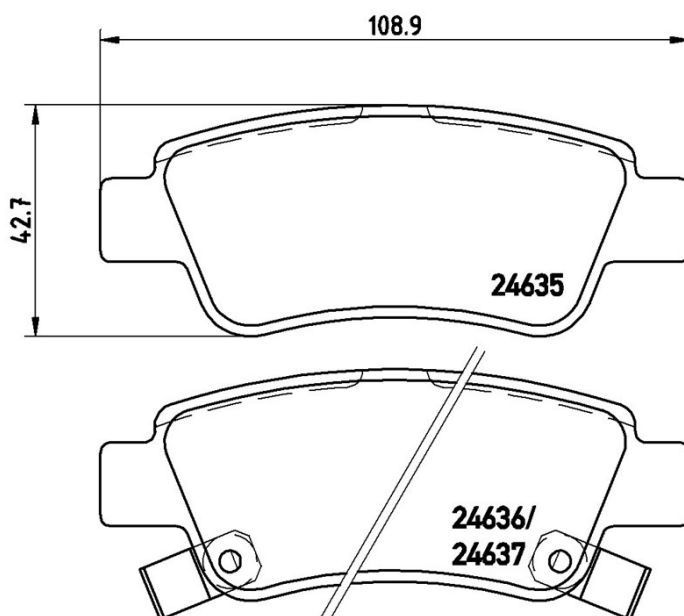
The P28046N NAO brake pad is synonymous with reliability

Brembo NAO brake pads stand out for their ultimate braking comfort, reduced friction wear and low dust mission, which makes for cleaner rims and reduced maintenance requirements. The advanced friction material in keeping with the strictest environmental standards is the main distinguishing feature of NAO compounds.

- ✓ OE-equivalent
- ✓ Brembo quality
- ✓ Safety
- ✓ Comfort
- ✓ Durability
- ✓ Dust reduction
- ✓ With accessories

## Technical specifications

EAN code	Axle	Thickness
<b>8020584113639</b>	<b>Rear</b>	<b>17 mm</b>
Width	Height	Braking system
<b>109 mm</b>	<b>42 mm</b>	<b>Bosch</b>
Wear indicator	WVA number	Accessories
<b>Acoustic</b>	<b>24635,24636,24637</b>	<b>With accessories</b> <b>With anti-squeal shim</b> <b>With brake caliper bolts</b>



# COMPATIBLE VEHICLES

## HONDA

CR-V III (RE_)	2.0 i-VTEC (RE5, RE1)	110/150	01/07 06/12
CR-V III (RE_)	2.0 i-VTEC 4WD (RE5, RE2)	110/150	10/06 06/12
CR-V III (RE_)	2.2 i-CTDi 4WD (RE6)	103/140	01/07
CR-V III (RE_)	2.2 i-DTEC 4WD (RE6)	110/150	01/07
CR-V III (RE_)	2.4	134/182	06/06 06/12
CR-V III (RE_)	2.4 (RE3)	124/168	06/06
CR-V III (RE_)	2.4 (RE4)	125/170	04/07
CR-V III (RE_)	2.4 4WD (RE4)	124/168	09/06
CR-V III (RE_)	2.4 i-Vtec 4WD (RE4)	125/170	04/07
CR-V III (RE_)	2.4 i-VTEC 4WD (RE4)	118/160	10/06
CR-V III (RE_)	2.4 i-VTEC 4WD (RE7)	122/166	09/09
CR-V IV (RM_)	1.6 i-DTEC (RE6)	88/120	10/13
CR-V IV (RM_)	1.6 i-DTEC 4WD (RE6)	118/160	02/15
CR-V IV (RM_)	2.0 (RM1)	110/150	01/12
CR-V IV (RM_)	2.0 AWD (RE5, RM2)	114/155	10/12
CR-V IV (RM_)	2.0 Flex (RE5)	114/155	01/13
CR-V IV (RM_)	2.0 iVtec (RE5, RM1)	114/155	10/12
CR-V IV (RM_)	2.2 i-DTEC AWD (RE6)	110/150	10/12
CR-V IV (RM_)	2.4 (RM3)	138/188	01/12
CR-V IV (RM_)	2.4 4WD	136/185	01/12
CR-V IV (RM_)	2.4 4WD	138/188	09/12
CR-V IV (RM_)	2.4 AWD	136/185	01/15
CR-V IV (RM_)	2.4 AWD (RM4)	132/180	01/12
CR-V IV (RM_)	2.4 AWD (RM4)	140/190	01/12

## COMPATIBLE OE PART NUMBERS

43022SWWG00	HONDA
43022SWWG01	HONDA
43022SWWG02	HONDA
43022SWWG03	HONDA
43022T1GG00	HONDA