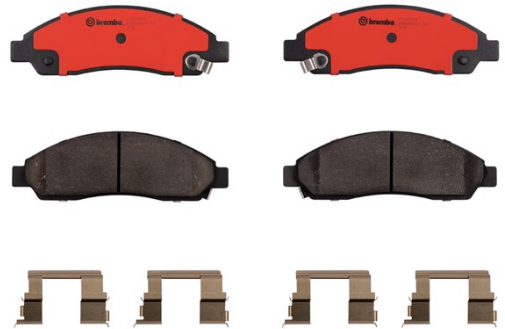


# BRAKE PAD NAO P34005N

The P34005N NAO brake pad is synonymous with reliability

Brembo NAO brake pads stand out for their ultimate braking comfort, reduced friction wear and low dust mission, which makes for cleaner rims and reduced maintenance requirements. The advanced friction material in keeping with the strictest environmental standards is the main distinguishing feature of NAO compounds.

- ✓ OE-equivalent
- ✓ Brembo quality
- ✓ Safety
- ✓ Comfort
- ✓ Durability
- ✓ Dust reduction
- ✓ With accessories



## Technical specifications

EAN code  
**8020584098110**

Axle  
**Front**

Thickness  
**16 mm**

Width  
**167 mm**

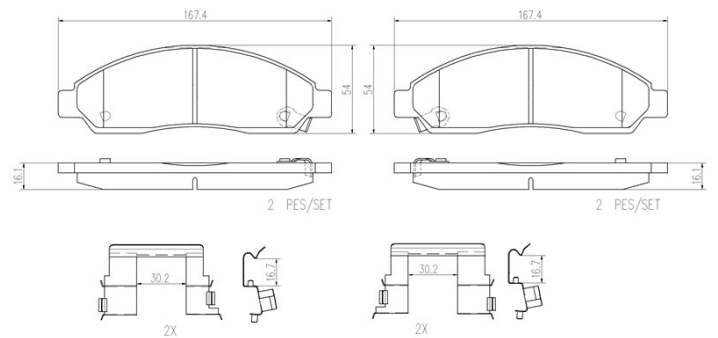
Height  
**54 mm**

Braking system  
**Sumitomo**

Wear indicator  
**Acoustic**

WVA number  
**24370,24595**

Accessories  
**With accessories**  
**With anti-squeal shim**



# COMPATIBLE VEHICLES

## CHEVROLET

|                          |           |         |             |
|--------------------------|-----------|---------|-------------|
| COLORADO                 | 2.8       | 130/177 | 04/03 09/06 |
| COLORADO                 | 2.8 4x4   | 130/177 | 04/03 09/06 |
| COLORADO                 | 2.8 D     | 132/180 | 01/04 08/12 |
| COLORADO                 | 2.8 D 4x4 | 132/180 | 01/04 08/12 |
| COLORADO                 | 2.9       | 139/189 | 10/06       |
| COLORADO                 | 2.9 4x4   | 139/189 | 10/06       |
| COLORADO                 | 3.5       | 147/200 | 10/05       |
| COLORADO                 | 3.5       | 164/223 | 05/05 09/06 |
| COLORADO                 | 3.5 4x4   | 147/200 | 10/05       |
| COLORADO                 | 3.5 4x4   | 164/223 | 05/05 09/06 |
| COLORADO                 | 3.7       | 181/246 | 10/06       |
| COLORADO                 | 3.7 4x4   | 181/246 | 10/06       |
| COLORADO Crew Cab Pickup | 2.8       | 130/177 | 09/06 12/06 |
| COLORADO Crew Cab Pickup | 2.8 4WD   | 130/177 | 09/03 12/06 |
| COLORADO Crew Cab Pickup | 2.9       | 138/188 | 09/06 12/12 |
| COLORADO Crew Cab Pickup | 2.9 4WD   | 138/188 | 09/06 12/12 |
| COLORADO Crew Cab Pickup | 3.5       | 164/223 | 09/03 12/06 |
| COLORADO Crew Cab Pickup | 3.5 4WD   | 164/223 | 09/03 12/06 |
| COLORADO Crew Cab Pickup | 3.7       | 180/245 | 09/06 12/12 |
| COLORADO Crew Cab Pickup | 3.7 4WD   | 180/245 | 09/06 12/12 |

## GMC

|                            |         |         |             |
|----------------------------|---------|---------|-------------|
| CANYON Crew Cab Pickup     | 3.7 4WD | 180/245 | 09/06 12/12 |
| CANYON Extended Cab Pickup | 3.7 4WD | 180/245 | 09/06 12/12 |
| CANYON Standard Cab Pickup | 3.7 4WD | 180/245 | 09/06 12/12 |
| YUKON (GMT900)             | 6.2 AWD | 279/379 | 01/07 07/14 |

## GREAT WALL

|                  |                        |         |             |
|------------------|------------------------|---------|-------------|
| FENGJUN 3        | 2.4                    | 100/136 | 01/07 12/13 |
| FENGJUN 3        | 2.4 All-wheel Drive    | 100/136 | 09/08 12/13 |
| FENGJUN 3        | 2.8 TD                 | 70/95   | 08/06 12/13 |
| FENGJUN 3        | 2.8 TD All-wheel Drive | 70/95   | 08/06 12/13 |
| FENGJUN 5 Pickup | 2.0                    | 75/102  | 09/17       |
| FENGJUN 5 Pickup | 2.0                    | 100/136 | 07/20       |
| FENGJUN 5 Pickup | 2.0 4x4                | 75/102  | 09/17       |
| FENGJUN 5 Pickup | 2.0 4x4                | 100/136 | 07/20       |
| FENGJUN 5 Pickup | 2.0 4x4                | 102/139 | 12/20       |
| FENGJUN 5 Pickup | 2.0 TD                 | 82/112  | 10/15 12/16 |
| FENGJUN 5 Pickup | 2.0 TDI                | 105/143 | 06/11       |
| FENGJUN 5 Pickup | 2.0 TDI                | 95/129  | 02/13       |
| FENGJUN 5 Pickup | 2.0 TDI 4x4            | 95/129  | 02/13       |
| FENGJUN 5 Pickup | 2.2                    | 78/106  | 11/10       |
| FENGJUN 5 Pickup | 2.2 CNG                | 68/92   | 10/15       |
| FENGJUN 5 Pickup | 2.4                    | 90/122  | 12/16       |
| FENGJUN 5 Pickup | 2.4                    | 118/160 | 02/20       |
| FENGJUN 5 Pickup | 2.4                    | 93/126  | 05/14       |
| FENGJUN 5 Pickup | 2.4                    | 100/136 | 07/09       |
| FENGJUN 5 Pickup | 2.4 4x4                | 93/126  | 06/13       |
| FENGJUN 5 Pickup | 2.4 4x4                | 118/160 | 02/20       |

|                  |                              |         |             |
|------------------|------------------------------|---------|-------------|
| FENGJUN 5 Pickup | 2.4 4x4                      | 100/136 | 10/09 12/15 |
| FENGJUN 5 Pickup | 2.4 All-wheel Drive          | 90/122  | 12/16       |
| FENGJUN 5 Pickup | 2.5 TDI                      | 80/109  | 04/11       |
| FENGJUN 5 Pickup | 2.5 TDI 4x4                  | 80/109  | 04/11       |
| FENGJUN 5 Pickup | 2.8 TD                       | 70/95   | 10/09 12/15 |
| FENGJUN 5 Pickup | 2.8 TD 4x4                   | 70/95   | 10/09 12/15 |
| FENGJUN 5 Pickup | 2.8 TDI                      | 68/92   | 05/14       |
| FENGJUN 5 Pickup | 2.8 TDI 4x4                  | 68/92   | 05/14       |
| FENGJUN 7        | 2.0                          | 105/143 | 11/18       |
| FENGJUN 7        | 2.0                          | 120/163 | 05/19       |
| FENGJUN 7        | 2.0                          | 115/156 | 07/19       |
| FENGJUN 7        | 2.0 4x4                      | 120/163 | 05/19       |
| FENGJUN 7        | 2.0 4x4                      | 115/156 | 07/19       |
| FENGJUN 7        | 2.0 All-wheel Drive          | 105/143 | 11/18       |
| HOVER            | 2.2                          | 78/106  | 06/06 12/07 |
| HOVER            | 2.2 All-wheel Drive          | 78/106  | 06/06 12/07 |
| HOVER            | 2.4                          | 100/136 | 01/07 04/11 |
| HOVER            | 2.4                          | 93/125  | 11/05 10/08 |
| HOVER            | 2.4 All-wheel Drive          | 93/125  | 11/05 10/08 |
| HOVER            | 2.4 All-wheel Drive (CC6460) | 100/136 | 01/07 04/11 |
| HOVER            | 2.5 TCI                      | 80/109  | 10/08 12/10 |
| HOVER            | 2.5 TCI All-wheel Drive      | 80/109  | 10/08 12/10 |
| HOVER            | 2.8 TCI                      | 70/95   | 06/06 12/10 |
| HOVER            | 2.8 TCI 4WD                  | 70/95   | 10/06 12/10 |
| HOVER H3         | 2.0                          | 90/122  | 05/09       |
| HOVER H3         | 2.0 4WD                      | 90/122  | 01/10       |
| HOVER H3         | 2.4                          | 100/136 | 10/08 12/13 |
| HOVER H3         | 2.4 All-wheel Drive          | 93/126  | 01/07 12/10 |
| HOVER H3         | 2.4 All-wheel Drive          | 100/136 | 07/10 12/13 |
| HOVER H3         | 2.5 TCI                      | 80/109  | 01/10 12/13 |
| HOVER H3         | 2.5 TCI All-wheel Drive      | 80/109  | 01/10 12/13 |
| HOVER H3         | 2.8                          | 70/95   | 01/07 12/10 |
| HOVER H3         | 2.8 All-wheel Drive          | 70/95   | 01/07 12/10 |
| HOVER H3         | 2.8 TD                       | 85/116  | 01/07 12/10 |
| HOVER H3         | 2.8 TD 4WD                   | 85/116  | 10/08 12/10 |
| HOVER H5         | 2.0                          | 90/122  | 08/10 12/11 |
| HOVER H5         | 2.0 TD                       | 110/150 | 10/10 12/14 |
| HOVER H5         | 2.0 TD 4WD                   | 110/150 | 10/10 12/14 |
| HOVER H5         | 2.4                          | 100/136 | 06/10       |
| HOVER H5         | 2.4 4WD (CC6461)             | 100/136 | 06/10       |
| HOVER H5         | 2.5 TCI                      | 80/109  | 06/10 12/13 |
| HOVER H5         | 2.5 TCI All-wheel Drive      | 80/109  | 06/10 12/11 |
| HOVER H6         | 2.0 4WD                      | 105/143 | 01/13       |
| PEGASUS          | 2.2 RHG Royale               | 74/101  | 02/04 12/08 |
| SAFE             | 2.2                          | 78/106  | 05/02 03/06 |
| SAFE             | 2.2 All-wheel Drive          | 78/106  | 05/02 03/06 |
| SAILING Pickup   | 2.2                          | 78/106  | 07/09       |
| SAILING Pickup   | 2.2 AWD                      | 78/106  | 01/08 12/10 |
| SAILING Pickup   | 2.8 TDI                      | 72/98   | 11/09 05/10 |
| SAILING Pickup   | 3.2 D                        | 76/103  | 07/07 12/08 |

|          |             |         |             |
|----------|-------------|---------|-------------|
| SING     | 2.2 DN      | 78/106  | 01/08 05/10 |
| SING     | 2.8 TD      | 70/95   | 01/08 05/10 |
| SING     | 2.2         | 75/102  | 08/03 11/09 |
| SING     | 2.2         | 75/102  | 06/05 12/06 |
| SING     | 2.8 TD      | 68/93   | 09/03 12/08 |
| SING     | 2.8 TD      | 70/95   | 01/08 05/10 |
| STEED    | 2.0 TD 4WD  | 105/143 | 01/13       |
| STEED    | 2.4         | 93/126  | 01/13       |
| STEED    | 2.4 4WD     | 93/126  | 01/13       |
| STEED 5  | 2.0 D       | 110/150 | 01/12       |
| STEED 5  | 2.0 D 4x4   | 110/150 | 01/12       |
| STEED 5  | 2.0 TDI     | 105/143 | 01/13       |
| STEED 5  | 2.0 TDI 4x4 | 105/143 | 01/13       |
| STEED 5  | 2.4         | 100/136 | 01/12       |
| STEED 5  | 2.4         | 90/122  | 01/13       |
| STEED 5  | 2.4 4x4     | 90/122  | 01/13       |
| WINGLE   | 2.8 TD      | 70/95   | 06/06       |
| WINGLE 3 | 2.8 TD 4WD  | 70/95   | 01/11       |
| WINGLE 6 | 2.0 TD      | 95/129  | 05/14       |
| WINGLE 6 | 2.0 TD      | 105/143 | 05/14       |
| WINGLE 6 | 2.0 TD 4x4  | 95/129  | 05/14       |
| WINGLE 6 | 2.0 TD 4x4  | 105/143 | 05/14       |
| WINGLE 6 | 2.4         | 93/126  | 05/14       |
| WINGLE 6 | 2.4         | 90/122  | 12/16       |
| WINGLE 6 | 2.4 4x4     | 93/126  | 05/14       |
| WINGLE 6 | 2.4 4x4     | 90/122  | 12/16       |

## HAVAL

|    |         |        |             |
|----|---------|--------|-------------|
| H5 | 2.0     | 90/122 | 09/13 12/17 |
| H5 | 2.0 4WD | 90/122 | 09/13 12/17 |

## HOLDEN

|                             |                      |         |             |
|-----------------------------|----------------------|---------|-------------|
| RODEO Pickup (RA)           | 2.4 i (TFR32)        | 94/128  | 02/03 07/08 |
| RODEO Pickup (RA)           | 3.0 DiTD (TFR85)     | 117/159 | 01/07 10/08 |
| RODEO Pickup (RA)           | 3.0 DiTD 4x4 (TFS85) | 117/159 | 01/07 10/08 |
| RODEO Pickup (RA)           | 3.0 TD (TFR77)       | 96/131  | 02/03 01/07 |
| RODEO Pickup (RA)           | 3.0 TD 4x4 (TFS77)   | 96/131  | 02/03 01/07 |
| RODEO Platform/Chassis (RA) | 2.4 i (TFR32)        | 94/128  | 08/03 07/08 |
| RODEO Platform/Chassis (RA) | 3.0 DiTD (TFR85)     | 117/159 | 01/07 10/08 |
| RODEO Platform/Chassis (RA) | 3.0 DiTD 4x4 (TFS85) | 117/159 | 01/07 10/08 |
| RODEO Platform/Chassis (RA) | 3.0 TD (TFR77)       | 96/131  | 02/03 01/07 |
| RODEO Platform/Chassis (RA) | 3.0 TD 4x4 (TFS77)   | 96/131  | 02/03 01/07 |
| RODEO Platform/Chassis (RA) | 3.5 i (TFR26)        | 147/200 | 02/03 12/05 |
| RODEO Platform/Chassis (RA) | 3.5 i 4x4 (TFS26)    | 147/200 | 02/03 12/05 |
| RODEO Platform/Chassis (RA) | 3.6 i (TFR27)        | 157/214 | 01/06 06/08 |
| RODEO Platform/Chassis (RA) | 3.6 i 4x4 (TFS27)    | 157/214 | 01/06 06/08 |

## ISUZU

|                    |                   |         |             |
|--------------------|-------------------|---------|-------------|
| D-MAX I (TFR, TFS) | 2.5               | 57/77   | 06/03 10/04 |
| D-MAX I (TFR, TFS) | 2.5               | 56/76   | 10/06 10/12 |
| D-MAX I (TFR, TFS) | 2.5 DiTD (TFR86_) | 85/116  | 10/06 06/12 |
| D-MAX I (TFR, TFS) | 2.5 DiTD (TFR86_) | 100/136 | 10/06 06/12 |

|                                     |                           |         |             |
|-------------------------------------|---------------------------|---------|-------------|
| D-MAX I (TFR, TFS)                  | 2.5 DiTD (TFR86_, TFR54_) | 74/101  | 10/02 06/12 |
| D-MAX I (TFR, TFS)                  | 2.5 DiTD 4x4 (TFS54)      | 74/101  | 05/02 06/12 |
| D-MAX I (TFR, TFS)                  | 2.5 DiTD 4x4 (TFS86_)     | 100/136 | 01/07 06/12 |
| D-MAX I (TFR, TFS)                  | 2.5 DiTD 4x4 (TFS86H)     | 85/116  | 10/06 06/12 |
| D-MAX I (TFR, TFS)                  | 3.0 DiTD (TFR85_)         | 120/163 | 01/07 06/12 |
| D-MAX I (TFR, TFS)                  | 3.0 DiTD 4x4 (TFS77H)     | 96/131  | 05/02 06/12 |
| D-MAX I (TFR, TFS)                  | 3.0 DiTD 4x4 (TFS85_)     | 120/163 | 01/07 06/12 |
| D-MAX I Platform/Chassis (TFR, TFS) | 2.5 DiTD                  | 100/136 | 10/06 06/12 |
| D-MAX I Platform/Chassis (TFR, TFS) | 3.0 D 4x4                 | 120/163 | 01/07 06/12 |
| ELF Platform/Chassis (NKR8_, NKQ8_) | 3.0 Di                    | 96/131  | 10/03       |

## COMPATIBLE OE PART NUMBERS

|                    |            |
|--------------------|------------|
| <b>3501175</b>     | GMC        |
| <b>3501175K00J</b> | GMC        |
| <b>89040317</b>    | GMC        |
| <b>3501120K00</b>  | GREAT WALL |
| <b>3501150K00</b>  | GREAT WALL |
| <b>3501175K00J</b> | GREAT WALL |
| <b>3501120K00</b>  | HAVAL      |
| <b>8890403170</b>  | ISUZU      |
| <b>89040317</b>    | ISUZU      |
| <b>8973186690</b>  | ISUZU      |
| <b>8973186750</b>  | ISUZU      |
| <b>8973293330</b>  | ISUZU      |
| <b>8973682510</b>  | ISUZU      |
| <b>8973682520</b>  | ISUZU      |
| <b>8973749720</b>  | ISUZU      |
| <b>8973749730</b>  | ISUZU      |
| <b>8980511140</b>  | ISUZU      |
| <b>8980511150</b>  | ISUZU      |
| <b>8980511160</b>  | ISUZU      |
| <b>8980511170</b>  | ISUZU      |