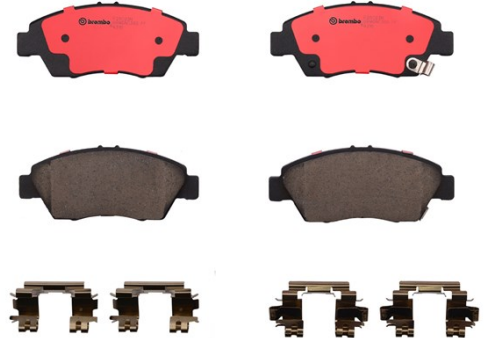


# BRAKE PAD NAO P28023N

The P28023N NAO brake pad is synonymous with reliability

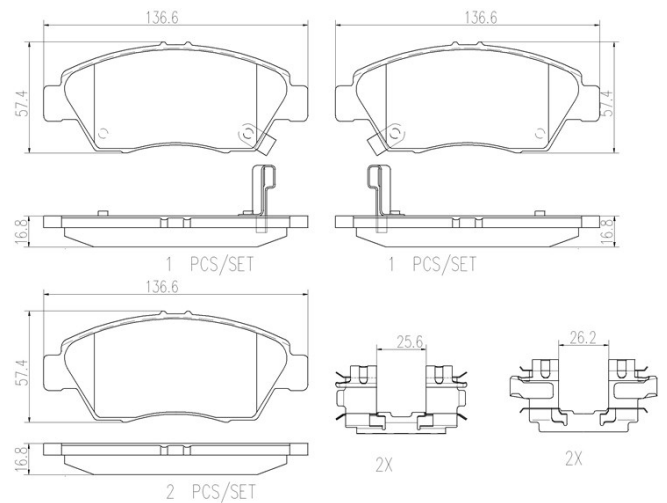
Brembo NAO brake pads stand out for their ultimate braking comfort, reduced friction wear and low dust mission, which makes for cleaner rims and reduced maintenance requirements. The advanced friction material in keeping with the strictest environmental standards is the main distinguishing feature of NAO compounds.

- ✓ OE-equivalent
- ✓ Brembo quality
- ✓ Safety
- ✓ Comfort
- ✓ Durability
- ✓ Dust reduction
- ✓ With accessories



## Technical specifications

|                                   |                                        |                                                                  |
|-----------------------------------|----------------------------------------|------------------------------------------------------------------|
| EAN code<br><b>8020584097649</b>  | Axle<br><b>Front</b>                   | Thickness<br><b>17 mm</b>                                        |
| Width<br><b>137 mm</b>            | Height<br><b>57 mm</b>                 | Braking system<br><b>Akebono</b>                                 |
| Wear indicator<br><b>Acoustic</b> | WVA number<br><b>21694,21695,21696</b> | Accessories<br><b>With accessories<br/>With anti-squeal shim</b> |



# COMPATIBLE VEHICLES

## ACURA

|            |            |       |       |
|------------|------------|-------|-------|
| ILX Saloon | 1.5 Hybrid | 68/92 | 11/12 |
|------------|------------|-------|-------|

## HONDA

|                                  |                        |         |             |
|----------------------------------|------------------------|---------|-------------|
| AIRWAVE (GJ)                     | 1.5 VTEC (GJ1)         | 81/110  | 06/04       |
| AIRWAVE (GJ)                     | 1.5 VTEC 4x4 (GJ2)     | 81/110  | 06/04       |
| CIVIC IX Saloon (FB)             | 1.5 IMA (FB4)          | 82/112  | 06/12       |
| CIVIC IX Saloon (FB)             | 1.5 IMA (FB4)          | 67/91   | 02/14       |
| CIVIC V Coupe (EJ)               | 1.6 i Vtec (EJ1)       | 92/125  | 01/94 03/96 |
| CIVIC V Hatchback (EG)           | 1.6 VTi 16V (EG6)      | 118/160 | 10/91 11/95 |
| CIVIC V Saloon (EG, EH)          | 1.6 VTi (EG9)          | 118/160 | 10/91 11/95 |
| CIVIC VI Coupe (EJ, EM1)         | 1.6 (EJ6)              | 79/107  | 05/96 04/99 |
| CIVIC VI Coupe (EJ, EM1)         | 1.6 i (EJ6)            | 77/105  | 03/96 03/00 |
| CIVIC VI Coupe (EJ, EM1)         | 1.6 i Vtec (EM1)       | 118/160 | 04/99 12/00 |
| CIVIC VI Coupe (EJ, EM1)         | 1.6 i Vtec (EM1)       | 92/125  | 03/96 03/00 |
| CIVIC VI Fastback (MA, MB)       | 1.6 VTi (MB4)          | 118/160 | 01/97 02/01 |
| CIVIC VI Hatchback (EJ, EK)      | 1.4 i (EJ9)            | 55/75   | 11/95 02/01 |
| CIVIC VI Hatchback (EJ, EK)      | 1.4 i S (EJ9)          | 66/90   | 11/95 02/01 |
| CIVIC VI Hatchback (EJ, EK)      | 1.4 LPG                | 66/90   | 01/97 02/01 |
| CIVIC VI Hatchback (EJ, EK)      | 1.5 i (EK3)            | 84/114  | 11/95 02/01 |
| CIVIC VI Hatchback (EJ, EK)      | 1.6 i (EK1)            | 84/114  | 11/95 02/01 |
| CIVIC VI Hatchback (EJ, EK)      | 1.6 VTi (EK4)          | 118/160 | 11/95 02/01 |
| CIVIC VI Saloon (EJ, EK)         | 1.4 (EJ9)              | 55/75   | 11/95 10/98 |
| CIVIC VI Saloon (EJ, EK)         | 1.4 i (EJ9)            | 66/90   | 11/95 02/01 |
| CIVIC VI Saloon (EJ, EK)         | 1.5 i (EK3)            | 84/114  | 11/95 02/01 |
| CIVIC VI Saloon (EJ, EK)         | 1.6 (EK1)              | 118/160 | 10/95 09/00 |
| CIVIC VI Saloon (EJ, EK)         | 1.6 (EK1)              | 93/126  | 10/95 12/00 |
| CIVIC VI Saloon (EJ, EK)         | 1.6 i Vtec (EK1)       | 92/125  | 11/95 02/01 |
| CIVIC VI Saloon (EJ, EK)         | 1.6 VTi (EK4)          | 118/160 | 11/95 02/01 |
| CIVIC VII Coupe (EM2)            | 1.6 i (EM1)            | 81/110  | 02/01 12/05 |
| CIVIC VII Coupe (EM2)            | 1.7 i (EM2)            | 88/120  | 05/01 12/05 |
| CIVIC VII Coupe (EM2)            | 1.7 i VTEC (EM2)       | 92/125  | 05/01 12/05 |
| CIVIC VII Hatchback (EU, EP, EV) | 1.4 iS (EP1, EU5, EU7) | 66/90   | 11/00 09/05 |
| CIVIC VII Hatchback (EU, EP, EV) | 1.6 i (EP2, EU8, EU6)  | 81/110  | 02/01 09/05 |
| CIVIC VII Saloon (ES, ET)        | 1.2 i-DSi (ES6)        | 58/79   | 04/01 10/04 |
| CIVIC VII Saloon (ES, ET)        | 1.3 IMA (ED9, ES9)     | 61/83   | 10/03 09/05 |
| CIVIC VII Saloon (ES, ET)        | 1.4 (ES4)              | 66/90   | 12/00 09/05 |
| CIVIC VII Saloon (ES, ET)        | 1.6 (ES5)              | 81/110  | 02/01 09/05 |
| CIVIC VII Saloon (ES, ET)        | 1.6 (ES5)              | 84/114  | 02/01 09/05 |
| CIVIC VII Saloon (ES, ET)        | 1.7 (ES1)              | 88/120  | 10/00 12/05 |
| CIVIC VII Saloon (ES, ET)        | 1.7 (EU3)              | 85/116  | 02/01 09/05 |
| CIVIC VII Saloon (ES, ET)        | 1.7 EX (ES1)           | 96/130  | 01/01 04/06 |
| CIVIC VII Saloon (ES, ET)        | 2.0 (ET1)              | 118/160 | 10/03 09/05 |
| CIVIC VIII Saloon (FD, FA)       | 1.3 IMA (FA3, FD3)     | 70/95   | 01/06       |
| CIVIC VIII Saloon (FD, FA)       | 1.3 IMA (FD3)          | 85/116  | 01/10 02/12 |
| CRX III (EH, EG)                 | 1.5 (EG1)              | 77/105  | 01/94 04/98 |
| CRX III (EH, EG)                 | 1.6 ESi (EH6)          | 92/125  | 03/92 12/98 |
| CRX III (EH, EG)                 | 1.6 i VTi (EG2)        | 118/160 | 03/92 12/98 |
| CR-Z (ZF)                        | 1.5 IMA (ZF1)          | 84/114  | 06/10       |

|                     |                     |         |             |
|---------------------|---------------------|---------|-------------|
| INSIGHT (ZE_)       | 1.3 IMA (ZE28, ZE2) | 65/88   | 04/09       |
| INTEGRA Coupe (DC5) | 2.0 (DC5)           | 147/200 | 10/04       |
| INTEGRA Coupe (DC5) | 2.0 Type-S          | 154/209 | 10/04 04/07 |
| JAZZ IV (GK_)       | 1.5                 | 96/130  | 09/17       |
| MOBILIO (GB_)       | 1.5 (GB1)           | 66/90   | 12/01 10/08 |
| MOBILIO (GB_)       | 1.5 (GB1)           | 81/110  | 12/01 10/08 |
| MOBILIO (GB_)       | 1.5 4WD (GB2)       | 66/90   | 12/01 10/08 |
| MOBILIO (GB_)       | 1.5 4WD (GB2)       | 81/110  | 12/01 10/08 |

## COMPATIBLE OE PART NUMBERS

|             |       |
|-------------|-------|
| 45022S7A000 | ACURA |
| 06450S5AE50 | HONDA |
| 06450S5AG00 | HONDA |
| 06450S5AJ00 | HONDA |
| 06450S5BJ00 | HONDA |
| 06450S7AJ00 | HONDA |
| 45022S04V10 | HONDA |
| 45022S04V00 | HONDA |
| 45022S04V01 | HONDA |
| 45022S04V02 | HONDA |
| 45022S04V03 | HONDA |
| 45022S04V10 | HONDA |
| 45022S04V11 | HONDA |
| 45022S04V12 | HONDA |
| 45022S5AE50 | HONDA |
| 45022S5AG00 | HONDA |
| 45022S5AG01 | HONDA |
| 45022S5AJ00 | HONDA |
| 45022S5BE00 | HONDA |
| 45022S5BJ00 | HONDA |
| 45022S5BJ01 | HONDA |
| 45022S5HT00 | HONDA |
| 45022S7A010 | HONDA |
| 45022SCC000 | HONDA |
| 45022SLNA01 | HONDA |
| 45022SLNA02 | HONDA |
| 45022SO4V10 | HONDA |
| 45022SO4V11 | HONDA |
| 45022SO4V12 | HONDA |
| 45022SR3V00 | HONDA |
| 45022SR3V01 | HONDA |
| 45022SR3V02 | HONDA |
| 45022SR3V03 | HONDA |
| 45022SR3V10 | HONDA |
| 45022SR3V11 | HONDA |
| 45022SR3V12 | HONDA |
| 45022TG0T00 | HONDA |
| 45022TR2A00 | HONDA |
| 45022TR2A01 | HONDA |
| H4502S04003 | HONDA |
| H4502S7A003 | HONDA |
| H4502SCC003 | HONDA |
| 586005260   | ISUZU |
| 5860052600  | ISUZU |
| 586005261   | ISUZU |
| 5860052610  | ISUZU |
| 586009207   | ISUZU |

|            |        |
|------------|--------|
| 5860092070 | ISUZU  |
| 586014123  | ISUZU  |
| 5860141230 | ISUZU  |
| 586014456  | ISUZU  |
| 5860144560 | ISUZU  |
| 586014834  | ISUZU  |
| 5860148340 | ISUZU  |
| AY040HN007 | NISSAN |